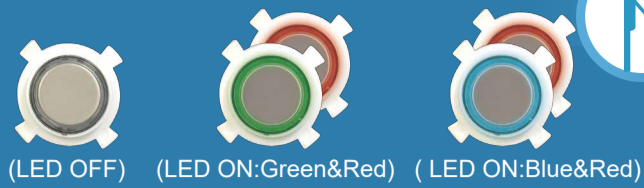


# Push Button Comparison chart

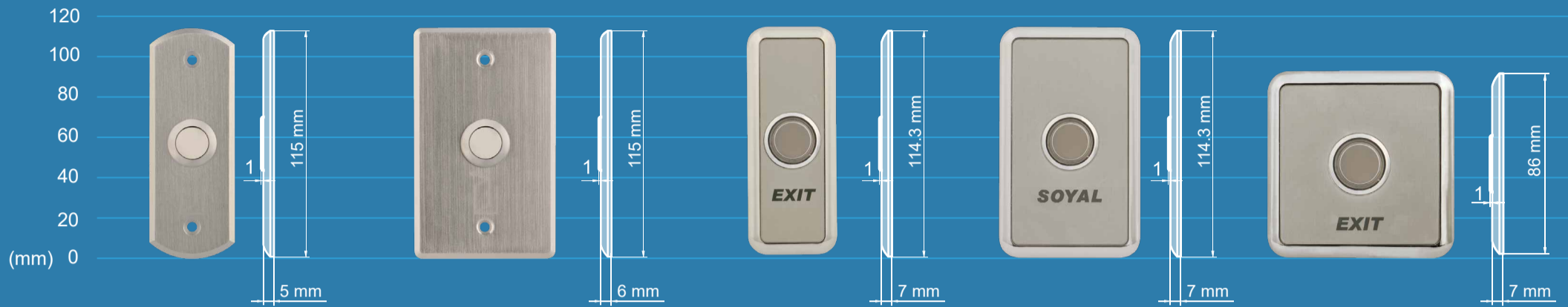


## Stainless Steel Push Button

LED Ring  
LED Piezo Push Button  
AR-PB-MDL



## LED Piezo Push Button



(US narrow version)  
**Stainless Steel Push Button**  
AR-PB-1A

Length : 115 mm  
Width : 42 mm  
Depth : 5 mm  
Print Text : N/A

(US)  
**Stainless Steel Push Button**  
AR-PB-2A

Length : 115 mm  
Width : 70 mm  
Depth : 6 mm  
Print Text : N/A

(US narrow version)  
**LED Piezo Push Button**  
AR-PB-6A

Length : 114.3 mm  
Width : 44.5 mm  
Depth : 7 mm  
Print Text : N/A / SOYAL / EXIT

(US)  
**LED Piezo Push Button**  
AR-PB-7A

Length : 114.3 mm  
Width : 70 mm  
Depth : 7 mm  
Print Text : N/A / SOYAL / EXIT

(EU)  
**LED Piezo Push Button**  
AR-PB-8A

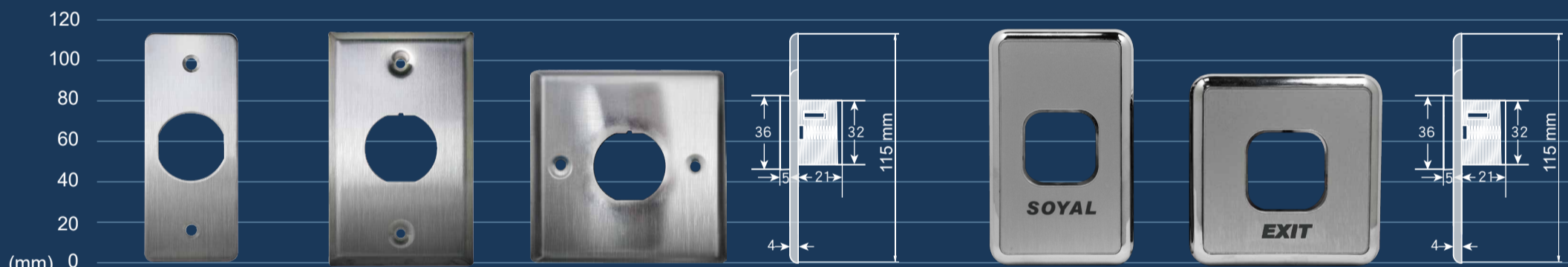
Length : 86 mm  
Width : 86 mm  
Depth : 7 mm  
Print Text : N/A / SOYAL / EXIT



## Touch-less Infrared Sensor Push Button

LED Ring

Touch-less Infrared Sensor Push Button  
AR-101-PBI



(US narrow version)  
**Stainless Steel Panel**  
DMET-PBC9H01

Length : 115 mm  
Width : 46 mm  
Depth : 2 mm / 30 mm  
Print Text : N/A

(US)  
**Stainless Steel Panel**  
DMET-PBXXA01

Length : 115 mm  
Width : 70 mm  
Depth : 4 mm / 32 mm  
Print Text : N/A

(EU)  
**Stainless Steel Panel**  
DMET-PBXXA02

Length : 86 mm  
Width : 86 mm  
Depth : 4 mm / 32 mm  
Print Text : N/A

(US)  
**Plastic Mounting Panel**  
DPLA-PB7A

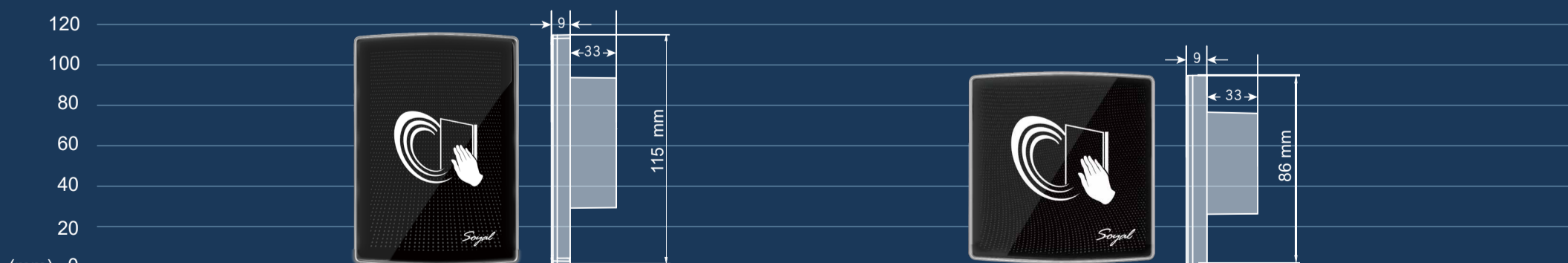
Length : 115 mm  
Width : 70 mm  
Depth : 4 mm / 32 mm  
Print Text : N/A / SOYAL / EXIT

(EU)  
**Plastic Mounting Panel**  
DPLA-PB8A

Length : 86 mm  
Width : 86 mm  
Depth : 4 mm / 32 mm  
Print Text : N/A / SOYAL / EXIT



## Flush Mounted IR Exit Button



(US)  
**Flush Mounted IR Exit Button**  
PBI-888(US)

Depth : 118 mm  
Width : 81 mm  
Depth : 9 mm / 42 mm  
Print Text : N/A / SOYAL

(EU)  
**Flush Mounted IR Exit Button**  
PBI-888(EU)

Depth : 86 mm  
Width : 86 mm  
Depth : 9 mm / 42 mm  
Print Text : N/A / SOYAL